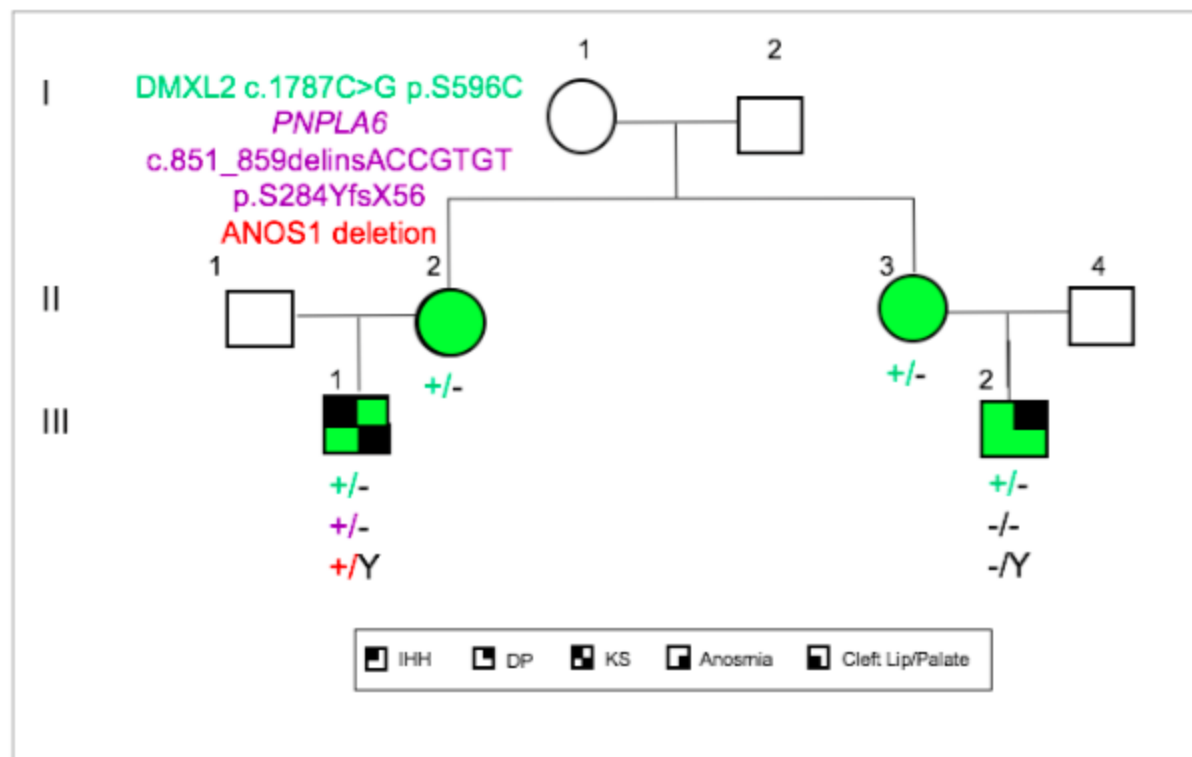


Supp Figure 8: Oligogenicity with *ANOS1*, *PNPLA6* and *DMXL2*.



Legend: Supp Figure 8 shows the segregation of RSVs in the genes of *ANOS1*, *PNPLA6* and *DMXL2*. Green color points for samples that DNA was available for genetic screening.