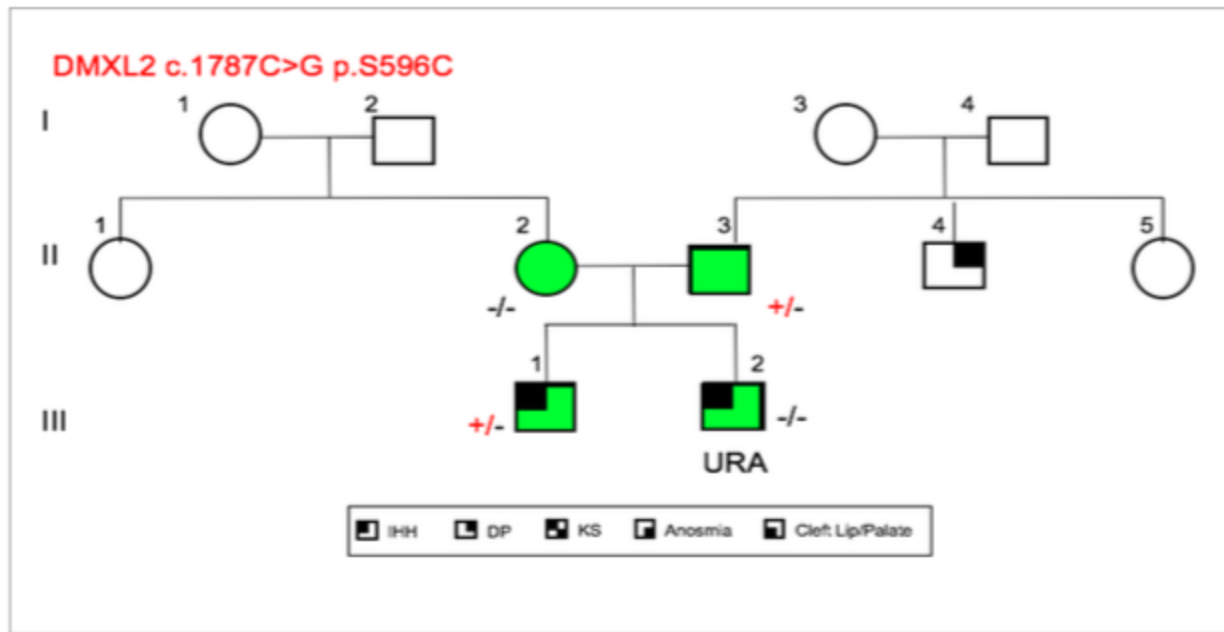


Supp Figure 7: Detected RSVs in *DMXL2*.



Legend: Supp Figure 7 shows the segregation of a missense *DMXL2* RSV in a familial case. Green color points for samples that DNA was available for genetic screening.