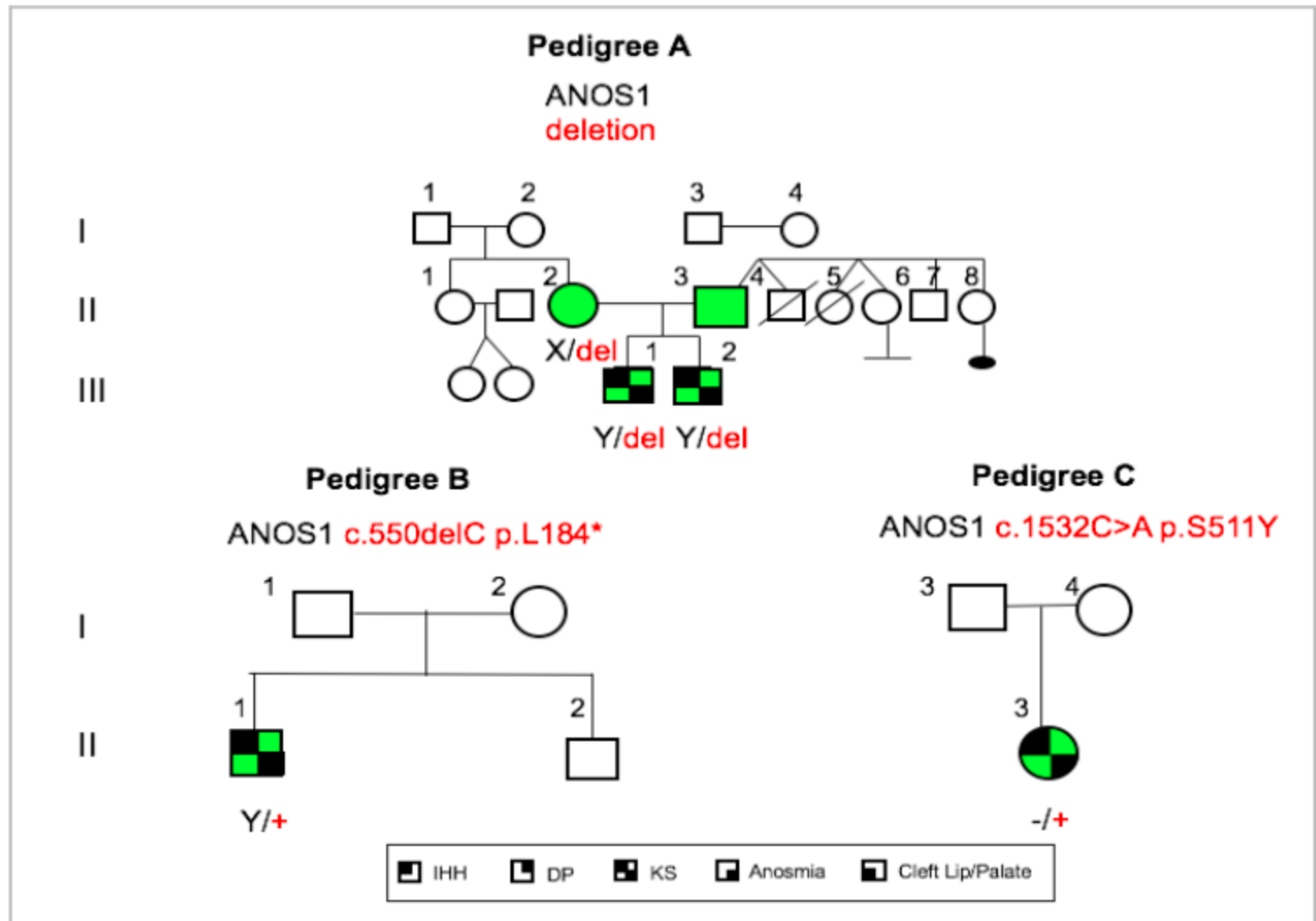


Supp Figure 1: Segregation of *ANOS1* genetic changes.



Legend: Segregation of *ANOS1* deletions and nonsense mutation in probands, affected and unaffected familial cases. Green color points for samples that DNA was available for genetic screening